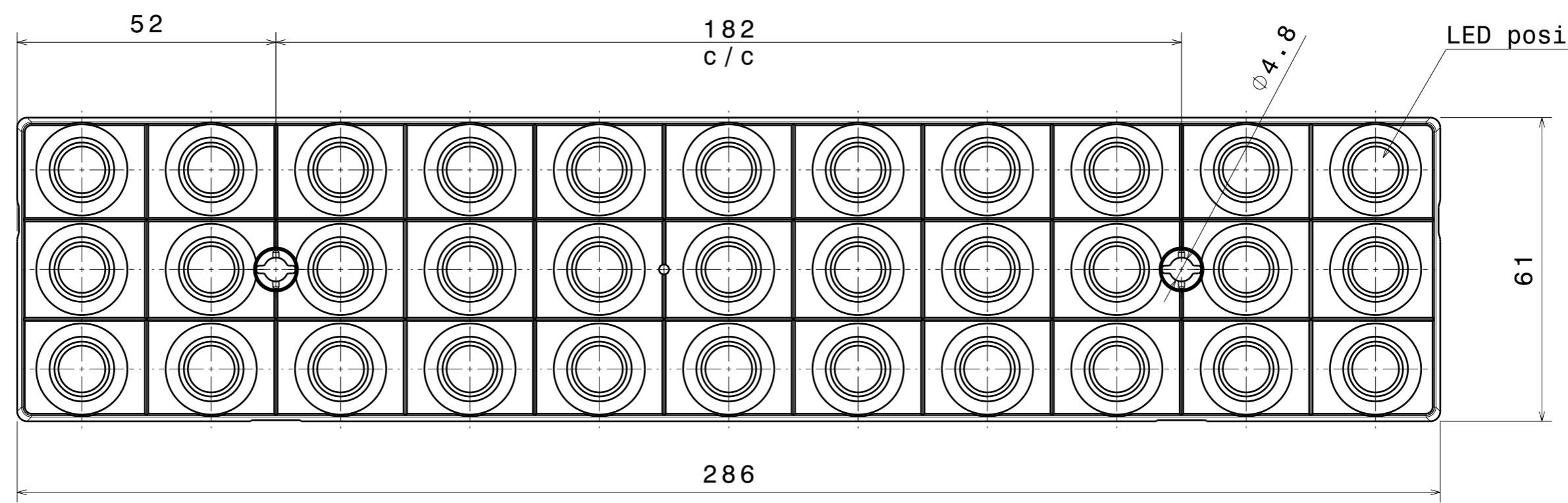
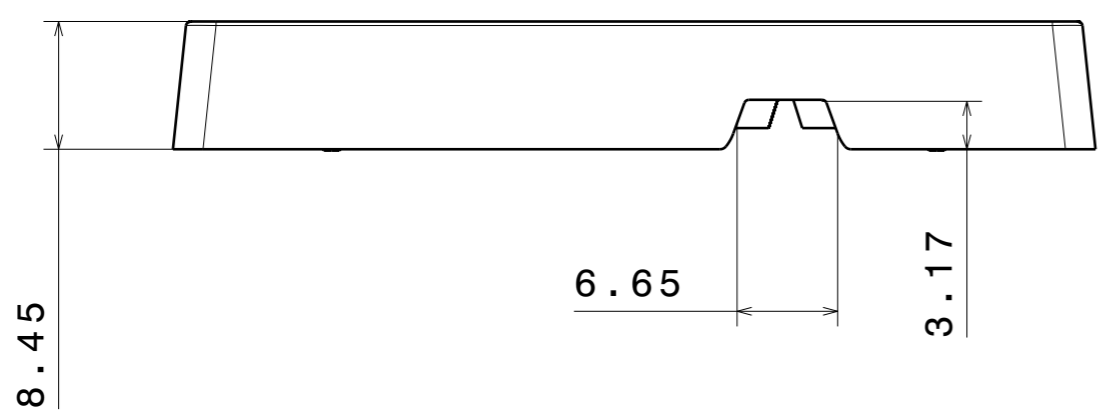


Rear view
Scale: 1:1



LED positions



INDEX	PART NO	DESCRIPTION	MATERIAL	COLOUR
1	F14486	FLORENCE-Z30	PMMA	clear

Tolerances if not otherwise shown
According to DIN ISO 2768-1
Linear measures: class M
According to DIN ISO 2768-2
Form and position: class L

LEDiL LediL Oy
Salorankatu 10
FIN 24240 SALO
Finland

THIRD ANGLE PROJECTION:

DRAWING TITLE
F14486_FLORENCE-Z30

This drawing is the property of LEDiL Oy. It may not be reproduced, copied or communicated without a written agreement with LEDiL Oy.

SIZE	PART NUMBER
A3	F14486

SCALE	1:1	WEIGHT	77 g	SHEET	1/1
-------	-----	--------	------	-------	-----

H G F E D C B A

4

4

3

3

2

2

1

1

H G B A